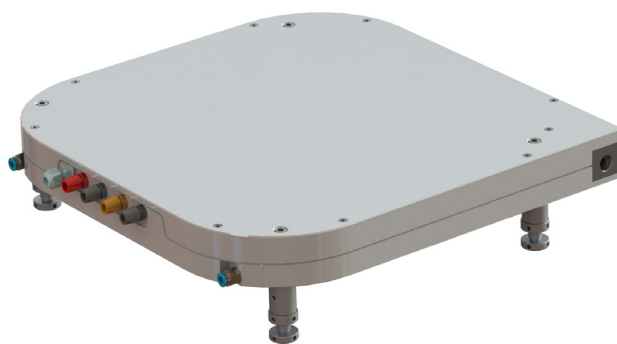


TGModule D-PM

TGModule D-PM is an all-in-one ready-to-use water cooled amplifying module. The module includes Ampliconyx patent protected, polarization maintaining ytterbium doped tapered double clad fiber (T-DCF) (US 8,433,168 B2, Japan 5390524, Peoples Republic of China ZL 200880119087.7, EPO 08805462.2 pending), all needed optical components and pump diodes. The user should provide only power supply. The module will be designed and assembled to match customer needs and could incorporate pump diodes according to customer request. The module is fully tested and shipped with complete test report and user manual.



Specifications

Wavelength	nm	1030-1040
Pump wavelength	nm	976 +/- 2
Mode field diameter	µm	88
Polarization extinction ratio (PER)	dB	> 16
M ²		< 1.15
Ellipticity		> 0.92
Input signal fiber		PM 6/125 DCF or PM 10/125 DCF
Output power		> 40 W @ 30 mW input, fully pumped from both sides
Power of seed source	mW	> 0.5
Back reflected power	W	< 1
Recommended min. water flow	l/min	5 @ 20 °C



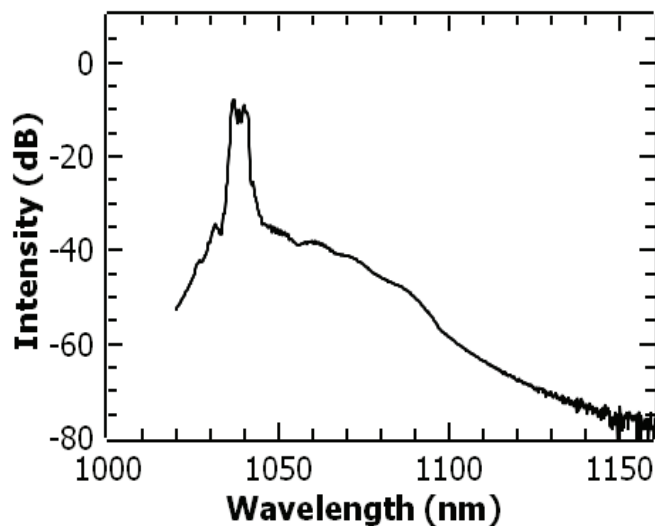
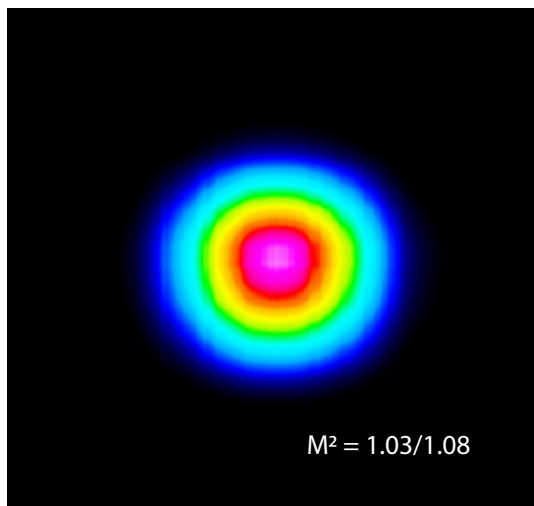
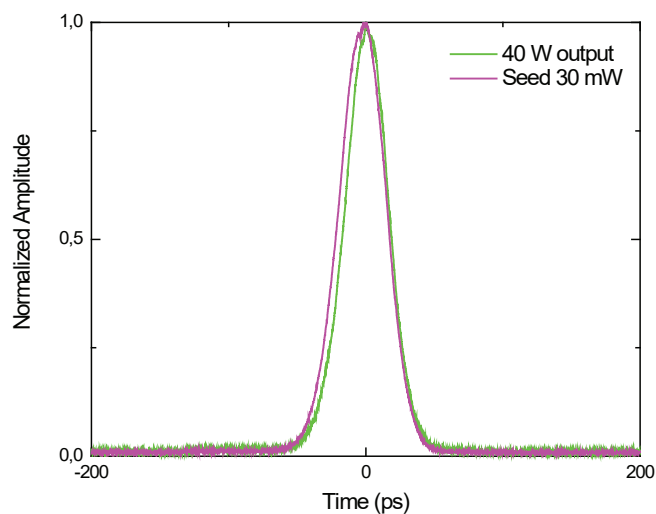
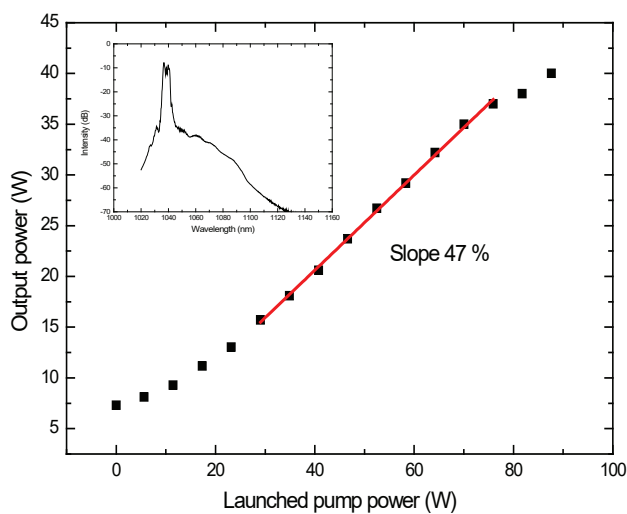
Example amplification

Test condition: 21 MHz, 25 ps, 30 mW 1035 nm pulsed input signal

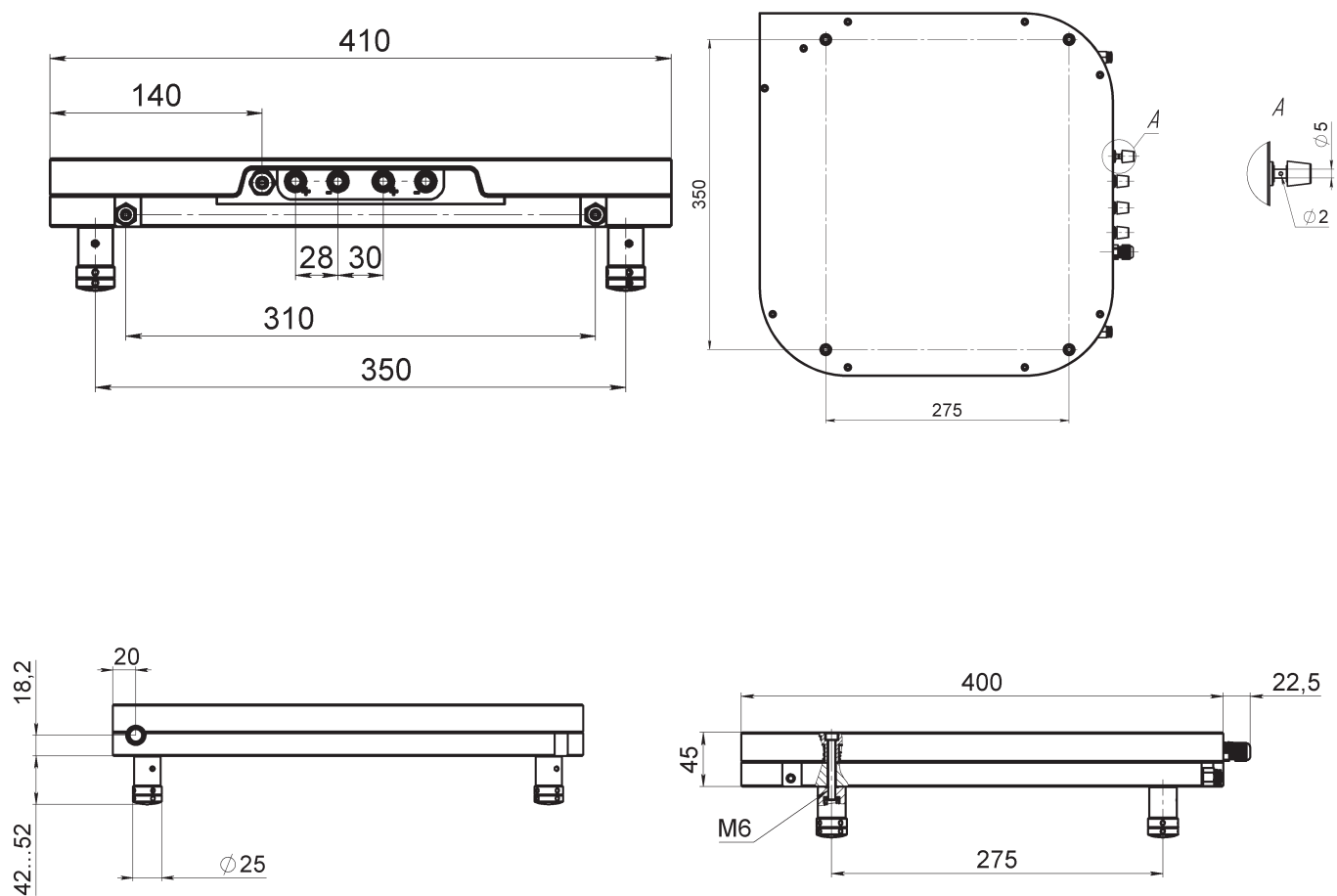
Output average power: 40 W

Beam quality M^2 : 1.08

Amplification: 31 dB



Dimensions



Ampliconyx Oy
Lautakatonkatu 18
33580 Tampere, Finland
+358 40 705 4772

www.ampliconyx.com
sales@ampliconyx.com